

Rent-A-Can, Inc.

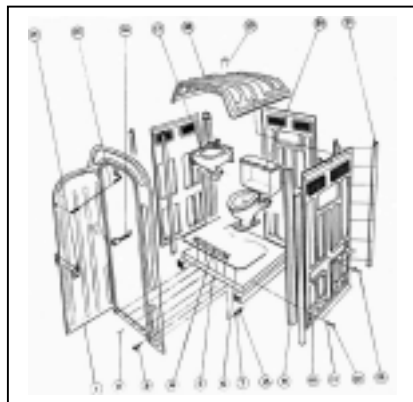
Phone: 800-525-3006

Fax: 800-437-9220

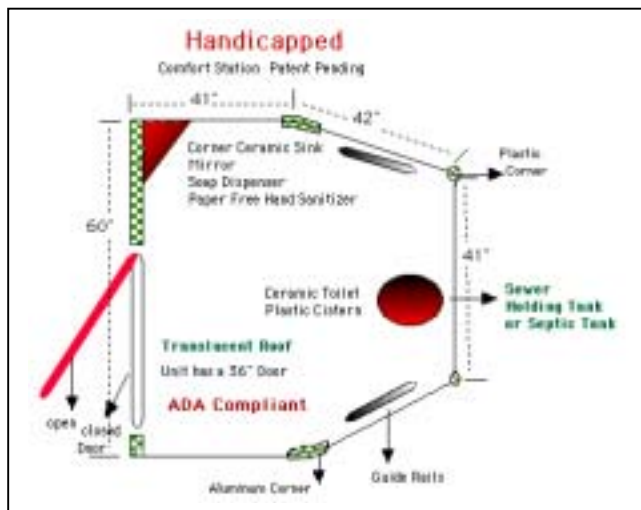
E-Mail: info@rentacan.com

Web Page: <http://wwwrentacan.com>

Comfort Station (Patent Pending)

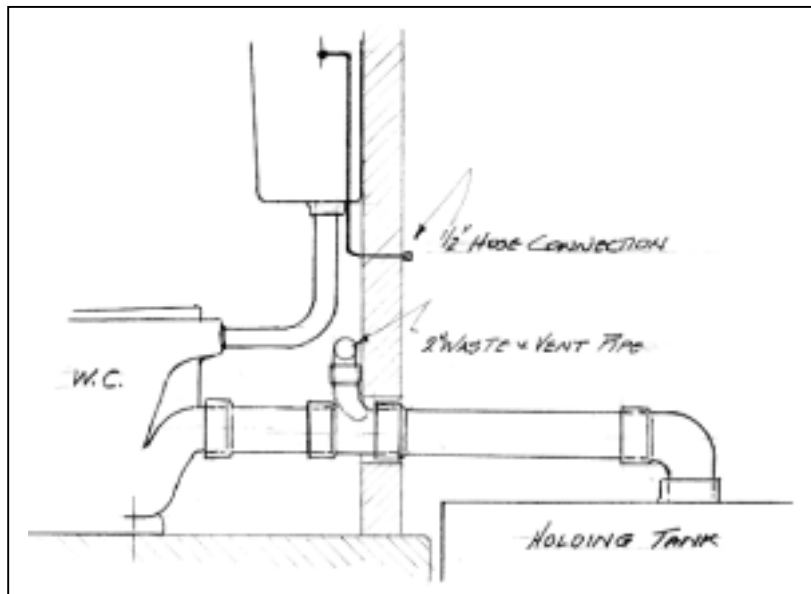
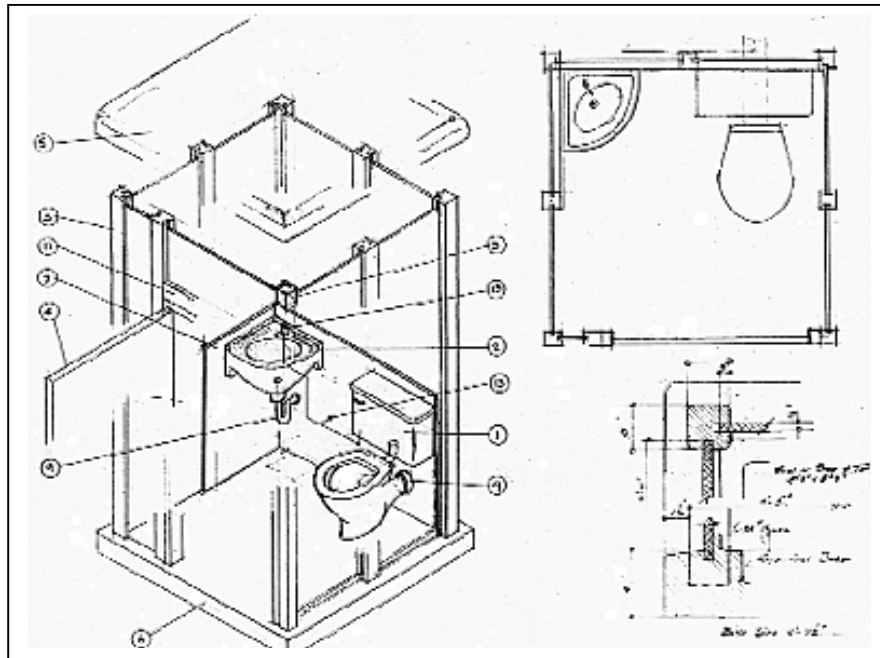


Single Comfort Station



ADA Compliant Comfort Station





Comfort Station Price List (rev. 12/01/01)

	<u>1 - 10</u>	<u>11 - 20</u>	<u>21 - 50</u>
ADA Comfort Station	\$ 2,695.00	\$ 2,595.00	\$ 2,445.00
Single Comfort Station	\$ 1,995.00	\$ 1,895.00	\$ 1,745.00
300 Gallon Holding Tank	\$ 310.00		
In Line Hot Water Heater	\$ 426.00		

All water intakes can utilize a standard garden hose (**pressure regulator may be required**).

Unit can be plumbed to a sewer, septic tank or holding tank